

EasyDevKits – Product details

ESP32 WROVER-E WCH JTAG DevKit

written by EasyDevKits – Matthias Jentsch

PCB Version 1.0 - November 21th, 2023

Contact: info@easydevkits.com

Website: <https://www.easydevkits.com>

Table of contents

1 Scope of this document.....	1
2 Product photos.....	2
3 Pin description.....	3

1 Scope of this document

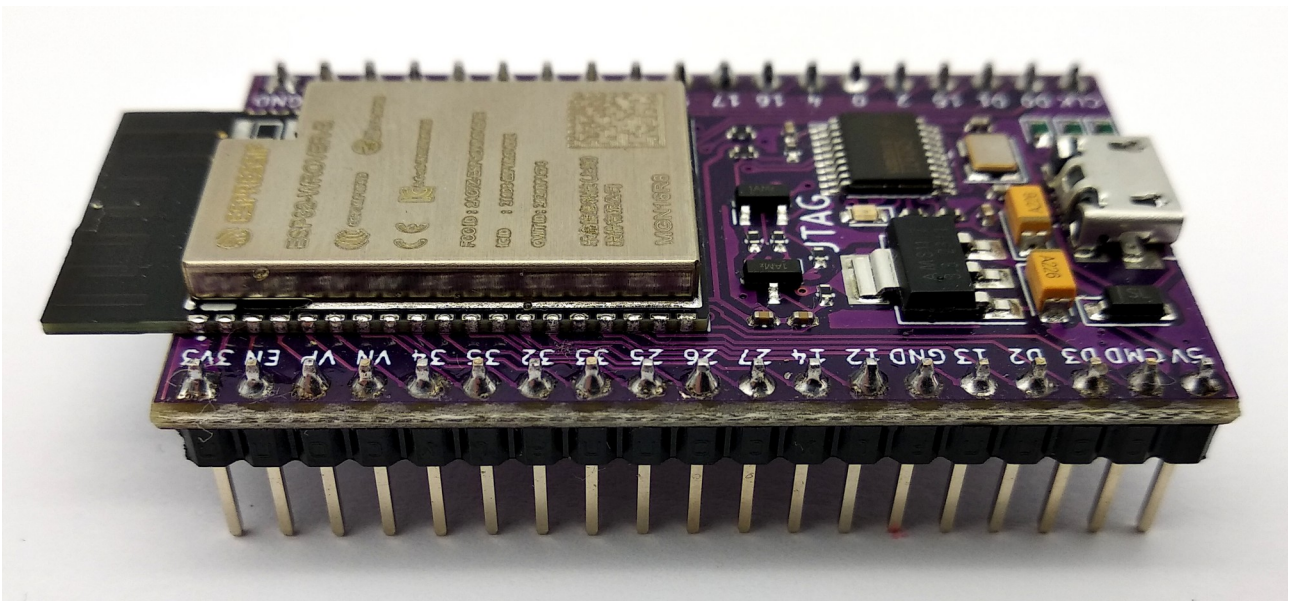
This document provides an overview of the ESP32 WROVER-E WCH JTAG DevKit.

This EasyDevKits combines the ESP32 WROVER-E with a JTAG debugging chip that is capable also for the UART connection.

Unique features:

- ESP32-WROVER-E with PCB antenna and 16 MB flash and 8 MB PSRAM
- WCH CH347T chip which connects the USB port to the ESP32 UART and JTAG pins
- LED for JTAG activity
- 2x 19 pin headers soldered
- Pin compatible with the official Espressif ESP32-DevKitC V4
- Micro USB connector

2 Product photos

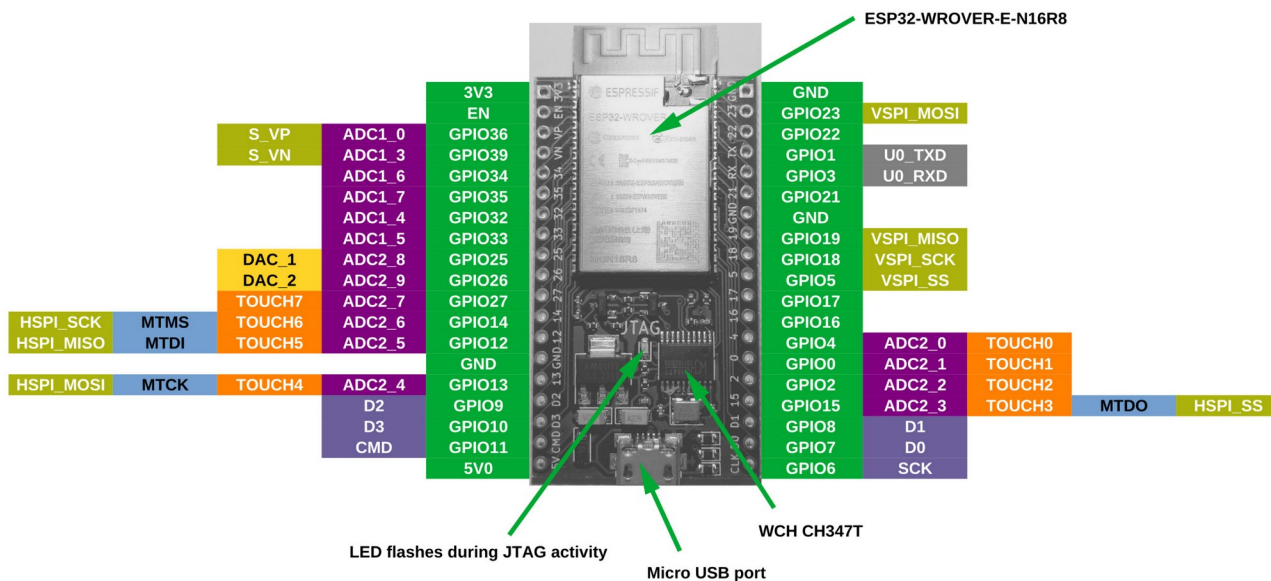


3 Pin description

ESP32-WROVER-E EasyDevKit

WCH CH347T pin layout

Version 1.0 – 11. November 2023



This EasyDevKit is pin compatible to the DevKitC

<https://docs.espressif.com/projects/esp-idf/en/latest/esp32/hw-reference/esp32/get-started-devkitc.html>

See also the ESP32-WROVER-E datasheet

https://www.espressif.com/sites/default/files/documentation/esp32-wrover-e_esp32-wrover-ie_datasheet_en.pdf